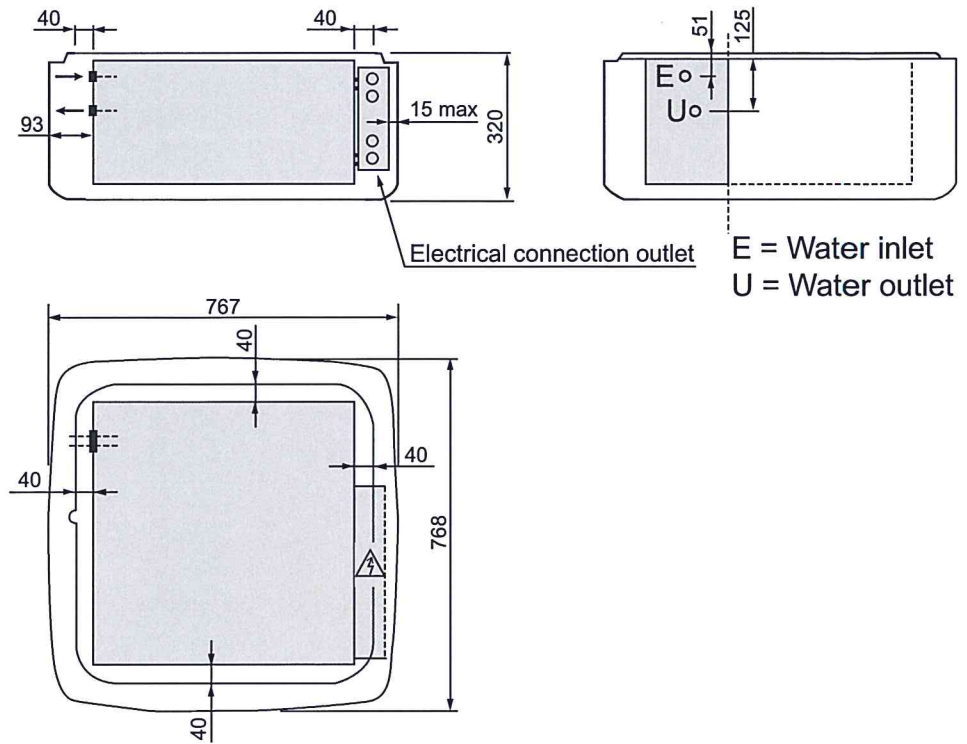


0.2-MCT / 1.2-MCT / 2.2-MCT / 3.2-MCT

Casing code 9079240

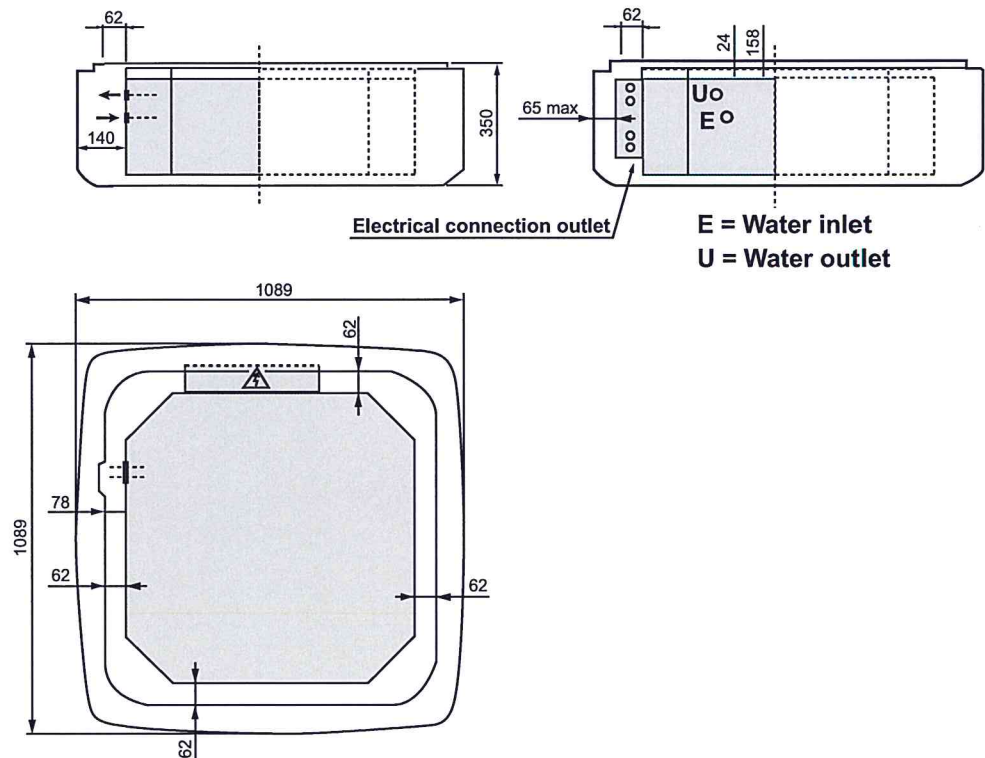
Casing weight: 5 kg (7,5 kg with the packaging)



4.2-MCT / 5.2-MCT / 6.2-MCT

Casing code 9079250

Casing weight: 10,5 kg (13,5 kg with the packaging)



Warning: the electrical and water connections must enter the unit from above and must not interfere with the casing.